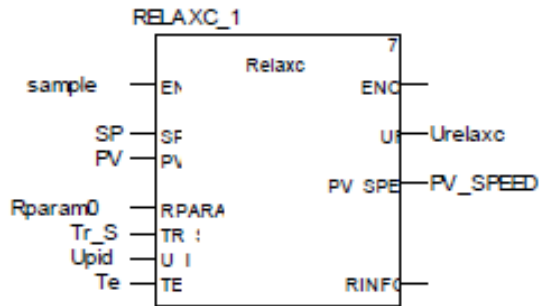
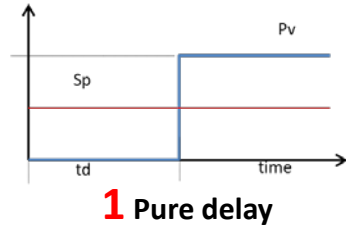


Relaxc : Next Generation Process Control

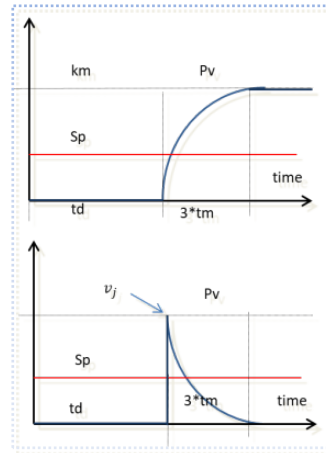
Tune *any* process control loop with just *five simple graphic rules*



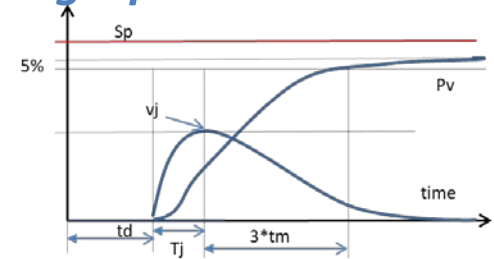
Relaxc control process block
Under Control Expert



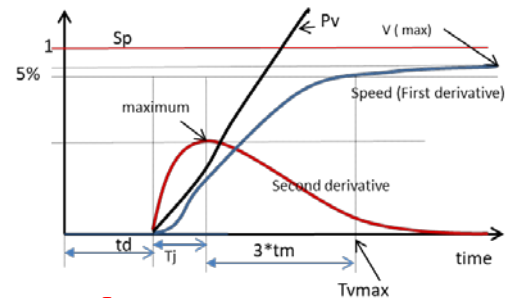
1 Pure delay



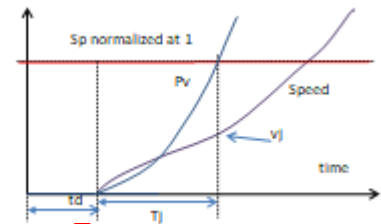
2 First order



3 Second order (and more)



4 Integrating (and more)



5 Unstable process

Achieve optimal control performance **whatever** the complexity of your processes and **without** complex mathematic analysis:

- Improved asset sustainability
- Less process waste
- Lower energy costs
- Significantly reduced commissioning times

[Want to know more about Relaxc ?](#)

Try it now with a [free trial](#), available *exclusively* via Schneider Electric™ Exchange (shop.exchange.se.com) or Includes full documentation (Practical Tuning Guide and Commissioning with EcoStruxure™ Control Expert)

